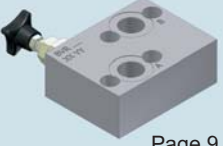
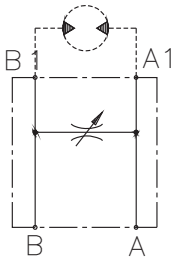

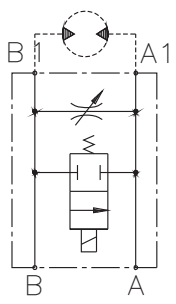
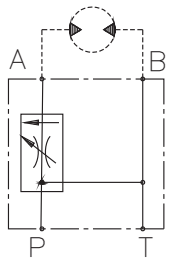
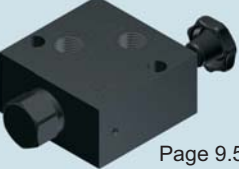
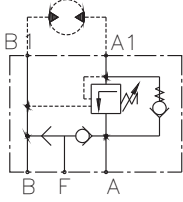

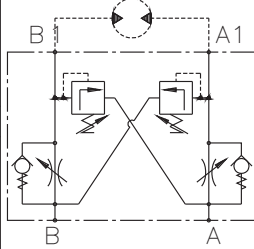
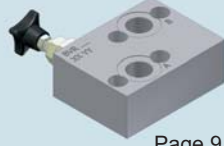
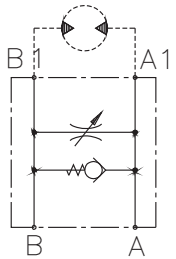
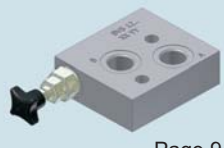
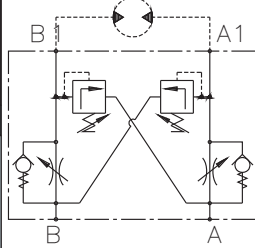
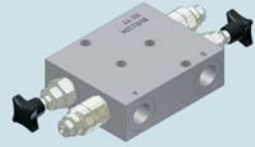
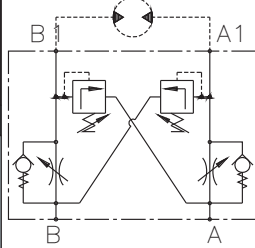
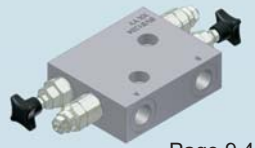
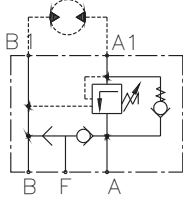

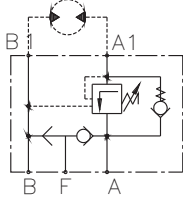

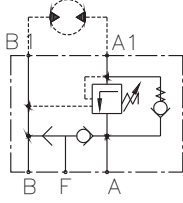

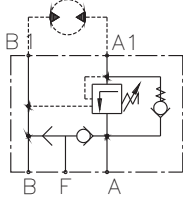

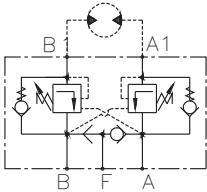


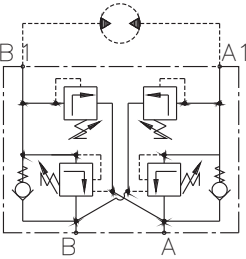

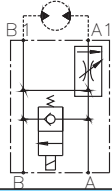

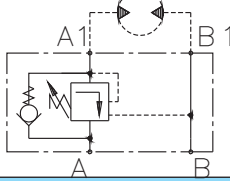
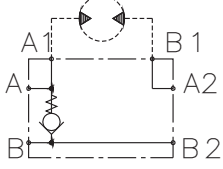
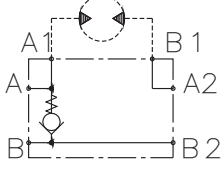



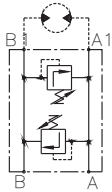
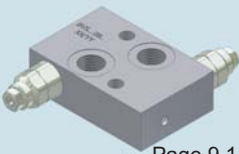

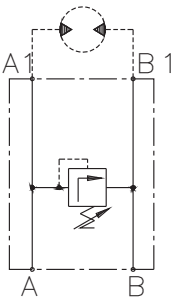
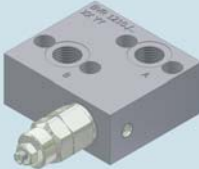
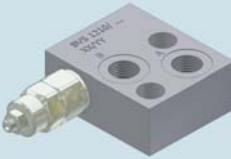
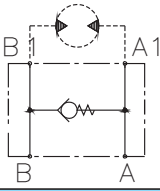

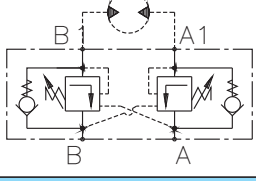
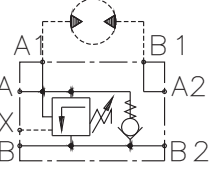
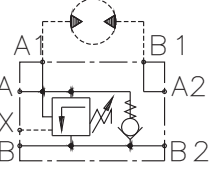
HYDRAULIC MOTOR BLOCKS TYPE BV

BVR 1201	Scheme 01
 Page 9.1	
BVS 1201	
 Page 9.2	
BVR 1203	
BVS 1203	
BVR 1205	
 Page 9.5	
BVS 1205	
 Page 9.6	

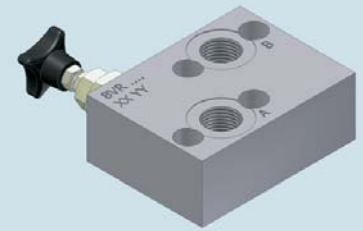
BVR 1202	Scheme 02
 Page 9.1	
BVS 1202	
 Page 9.2	
BVR 1204	
 Page 9.3	
BVS 1204	
 Page 9.4	
BVR 1206	
 Page 9.8	
BVS 1206	
 Page 9.9	
BVT 3406	
 Page 9.9	

HYDRAULIC MOTOR BLOCKS TYPE BV

BVR 1207	Scheme 07
 Page 9.10	
BVS 1207	
 Page 9.11	
BVT 3407	
 Page 9.12	
BVR 1209	
 Page 9.16	
Scheme 11	
	Scheme 13
BDR 1213	
 Page 9.20	
BVR 3815	Scheme 15
 Page 9.22	

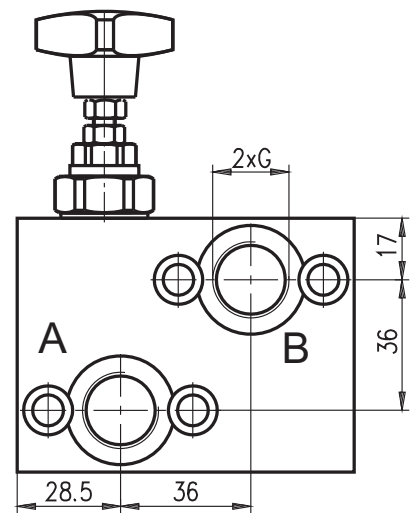
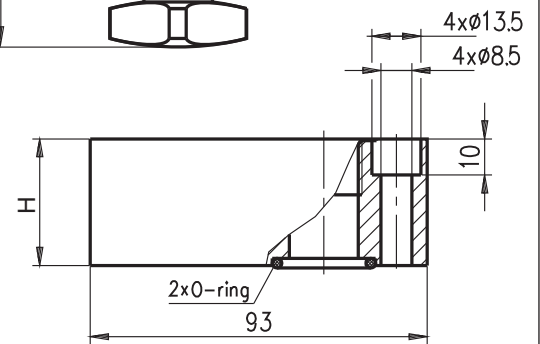
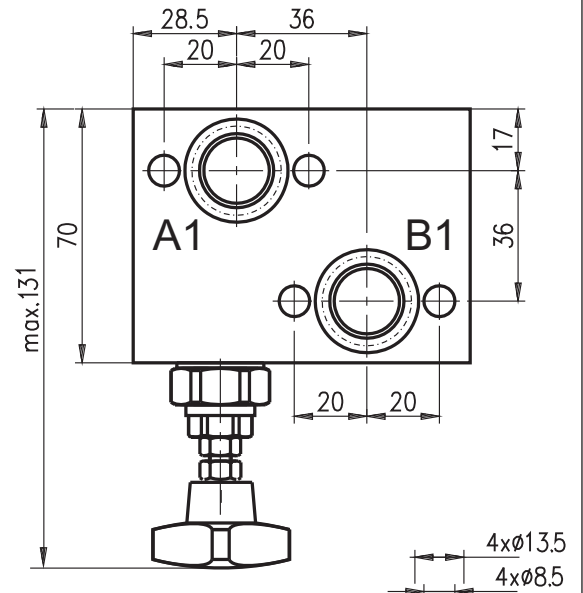
BVR 1208	Scheme 08
 Page 9.13	
BVS 1208	
 Page 9.14	
BVT 3408	
 Page 9.15	
BVR 1210	
 Page 9.16	
BVS 1210	
 Page 9.19	Scheme 12
BVR 1212	
BVR 1214	Scheme 14
 Page 9.21	
BVR 3816	Scheme 16
 Page 9.23	

HYDRAULIC MOTOR BLOCKS TYPE BV



BVR ...

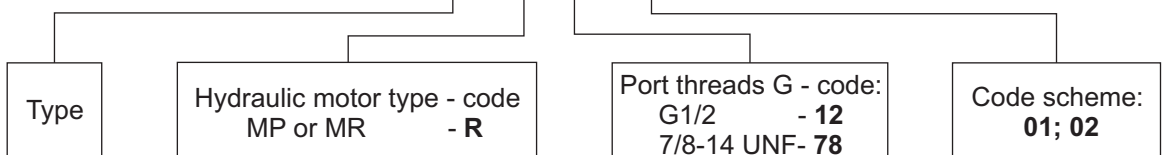
Code	Hydraulic scheme
01	
02	



Type	Nom. flow rate	P _{nom.}	Port threads G	O-ring	H
	L/min				
BVR 12..	60	210	G1/2 - DIN 3852	23,6x2,65	35
BVR 78..	60	210	7/8-14UNF - ISO 11926	26x2	38

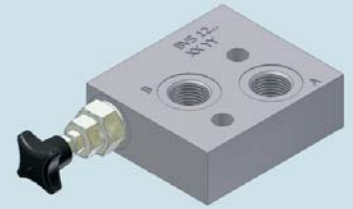
ORDERING CODE

BV R 12 01

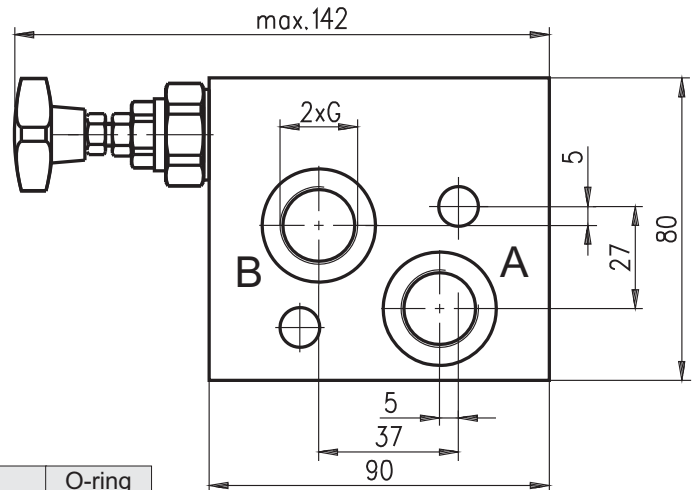
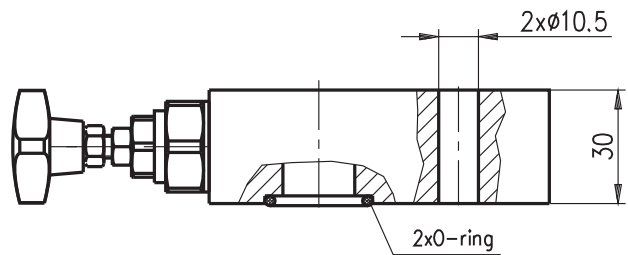
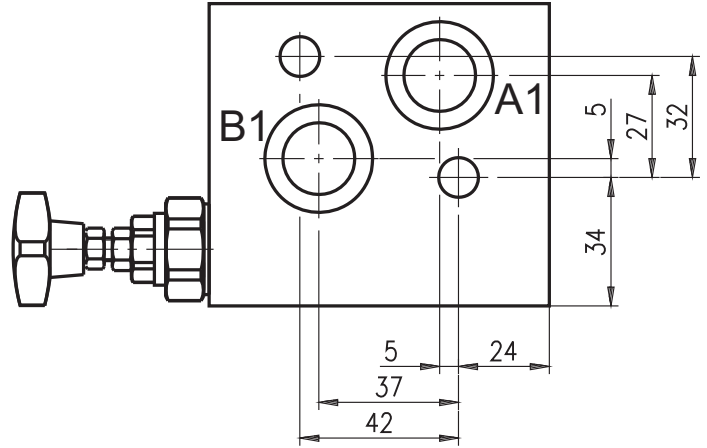


HYDRAULIC MOTOR BLOCKS TYPE BV

BVS

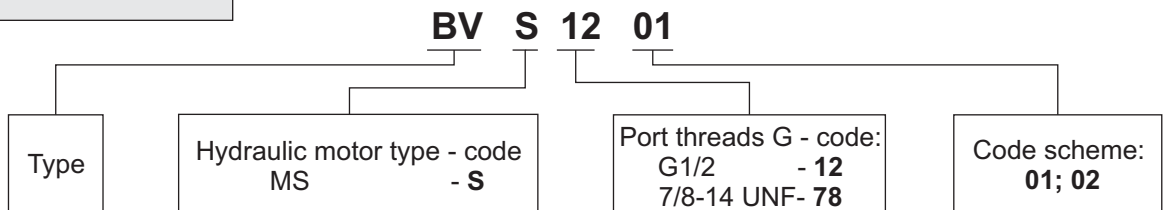


Code	Hydraulic scheme
01	
02	

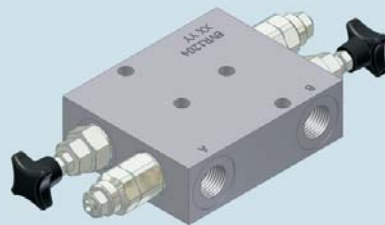


Type	Nom. flow rate	P _{nom.}	Port threads G	O-ring
	L/min			
BVS 12..	60	210	G1/2 - DIN 3852	23,6x2,65
BVS 78..	60	210	7/8-14UNF - ISO 11926	26x2

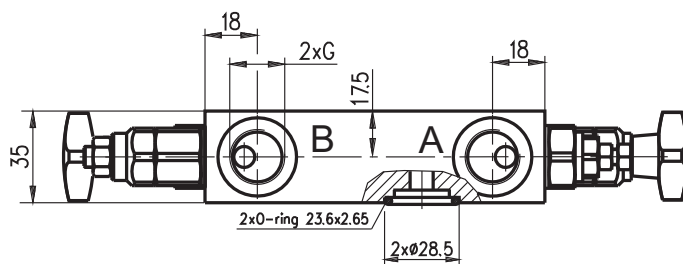
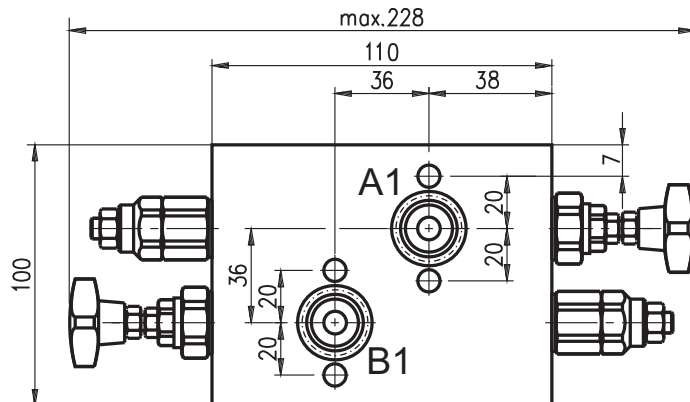
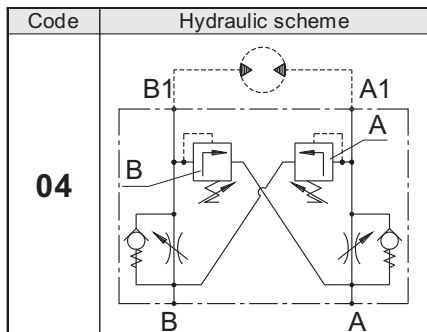
ORDERING CODE



HYDRAULIC MOTOR BLOCKS TYPE BV

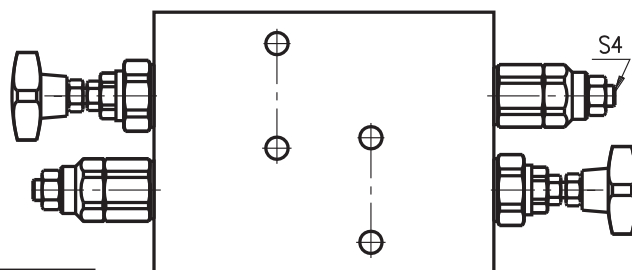
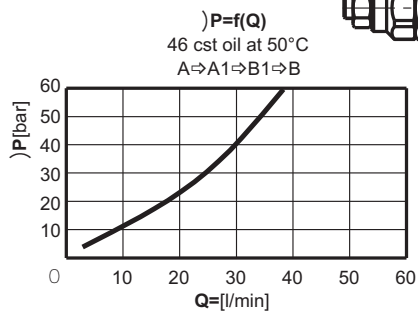


BVR .. 04/..



Pressure range			
Code	Standard setting (Q=5l/min)	Adj. pressure range	Colour
	bar	bar	
10	80	10...100	White
25	180	30...250	Yellow

Code	Adjustments
A	Leakproof hex. socket screw
B	Handknob and locknut
C	Sealing cap



Type	Nom. flow rate	P _{max.}	Port threads G
	L/min	bar	
BVR 1204 /... ..	50	250	G1/2 - DIN 3852

ORDERING CODE

BV R 12 04 / A10 A - B25 A

Type

Hydraulic motor type - code:
MP or MR - **R**

Port threads G - code
G1/2 - **12**

Code scheme:
04

Code adjustments:
A; B; C
(see table above)

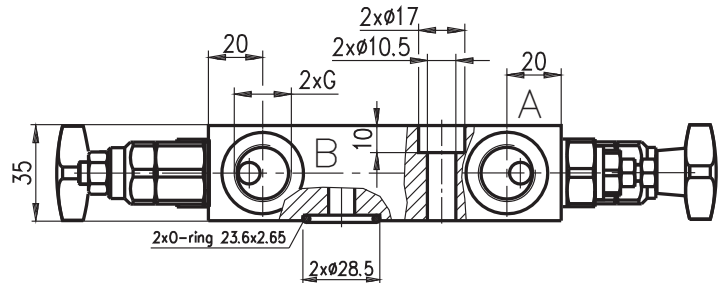
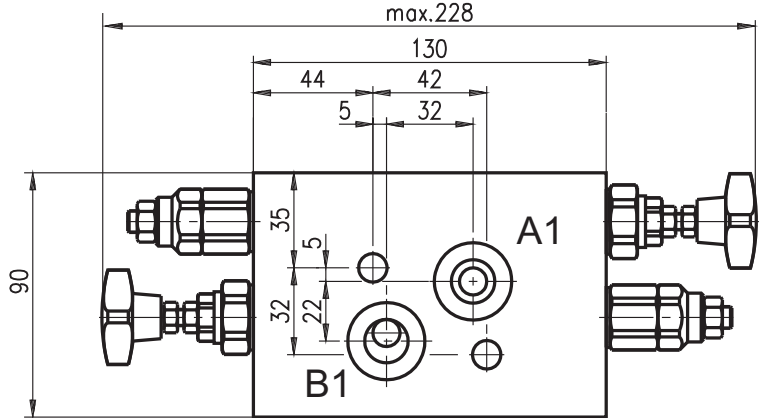
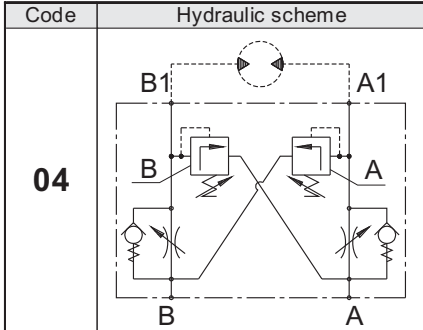
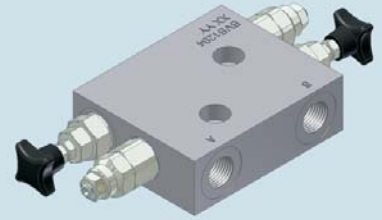
Pressure range code
valve "A":
10; 25

Code adjustments:
A; B; C
(see table above)

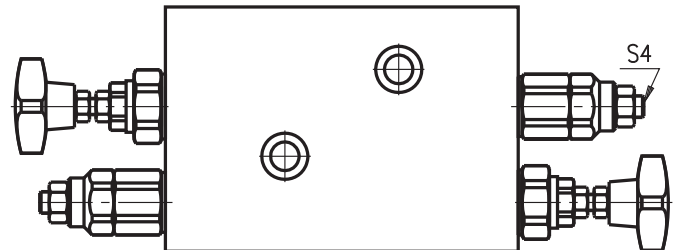
Pressure range code
valve "B":
10; 25

HYDRAULIC MOTOR BLOCKS TYPE BV

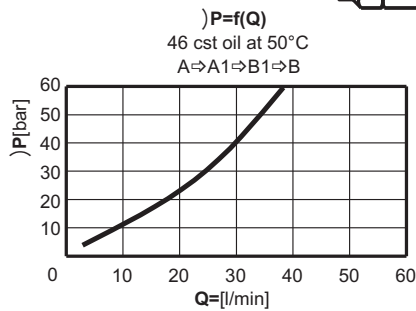
BVS .. 04/..



Pressure range			
Code	Standard setting (Q=5l/min)	Adj. pressure range	Colour
	bar	bar	
10	80	10...100	White
25	180	30...250	Yellow



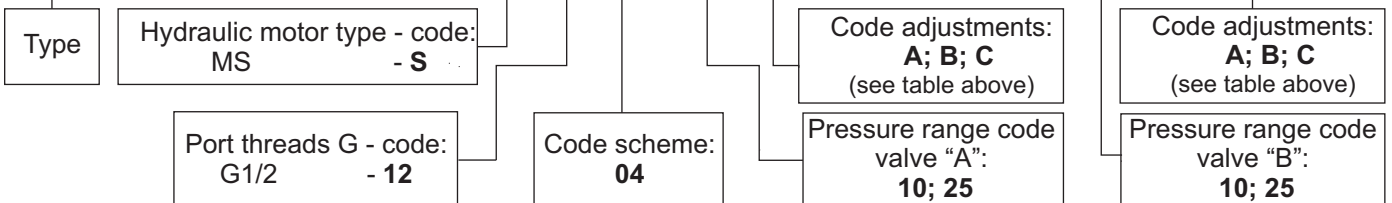
Code	Adjustments
A	Leakproof hex. socket screw
B	Handknob and locknut
C	Sealing cap



Type	Nom. flow rate	P _{max.}	Port threads G
	L/min	bar	-
BVS 1204 /... -...	50	250	G1/2 - DIN 3852

ORDERING CODE

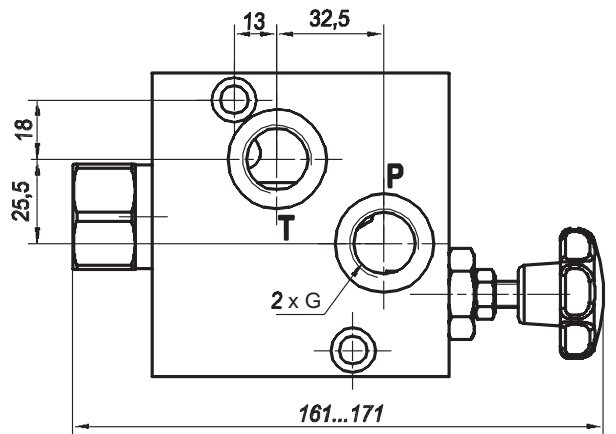
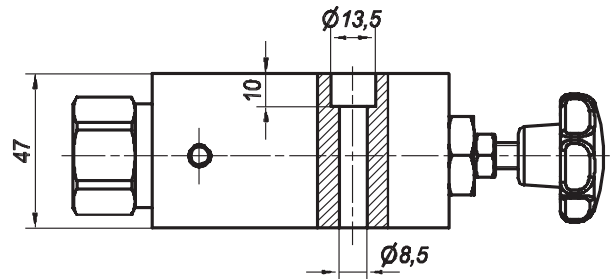
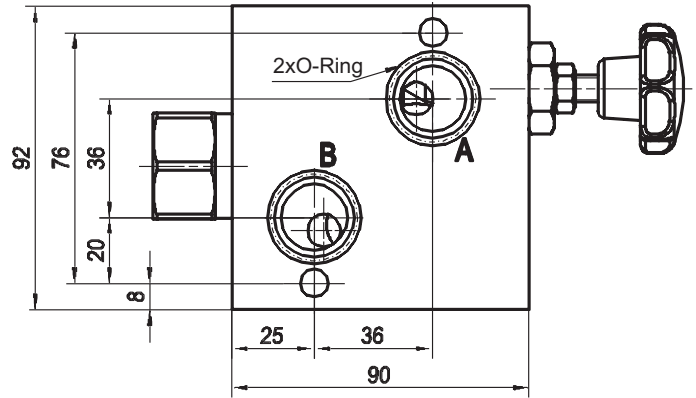
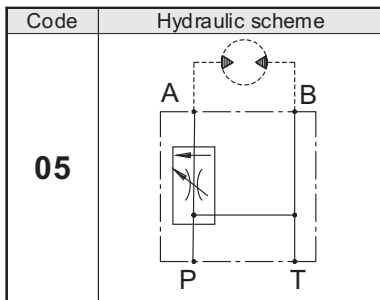
BV S 12 04 / A10 A - B25 A



HYDRAULIC MOTOR BLOCKS TYPE BV



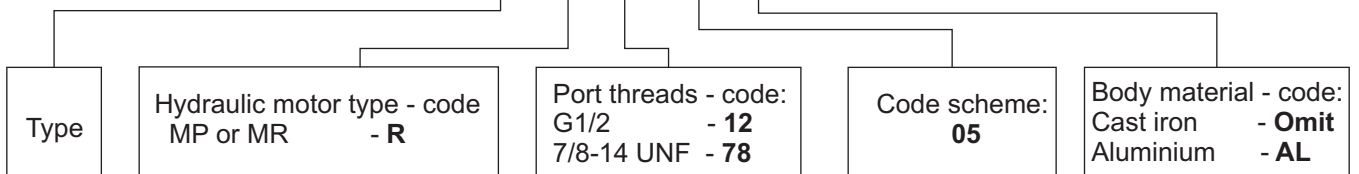
BVR .. 05 ..



Type	Flow rate max. "P"	Rated flow "A"	P _{max.}	Port threads G	O-Ring
	L/min	L/min	bar	-	-
BVR 1205 ..	90	70	250	G1/2 - DIN 3852	23,6x2,65
BVR 7805 ..	90	70	250	7/8-14UNF - ISO 11926	26x2

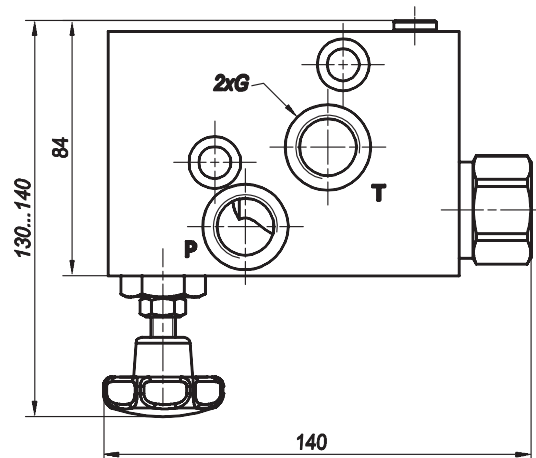
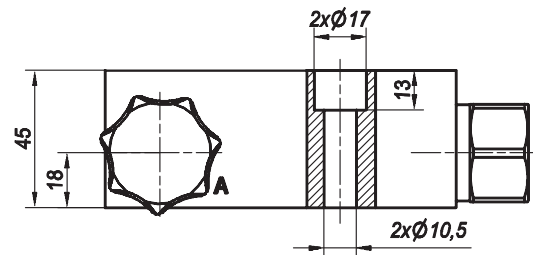
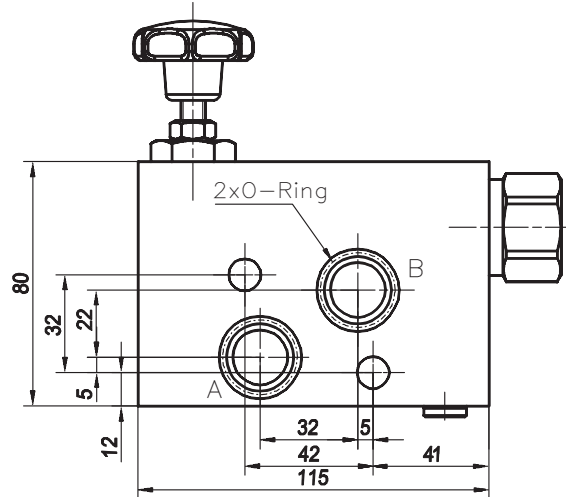
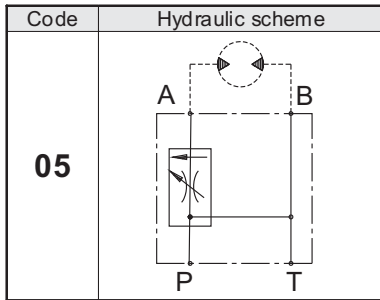
ORDERING CODE

BV R 12 05 AL



HYDRAULIC MOTOR BLOCKS TYPE BV

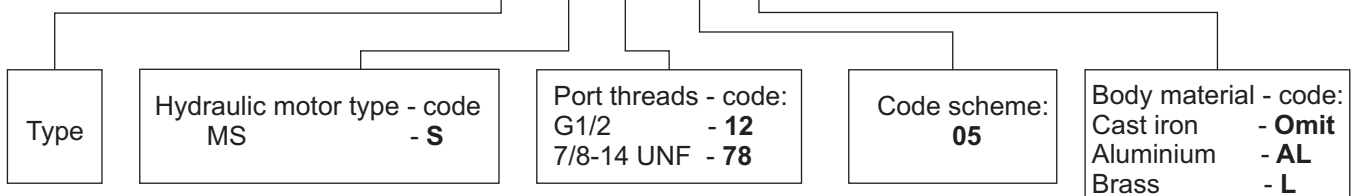
BVS .. 05 ..



Type	Flow rate max. "P"	Rated flow "A"	Pmax.	Port threads G	O-Ring
	L/min	L/min	bar	-	-
BVS 1205 ..	90	70	250	G1/2 - DIN 3852	23,6x2,65
BVS 7805 ..	90	70	250	7/8-14UNF - ISO 11926	26x2

ORDERING CODE

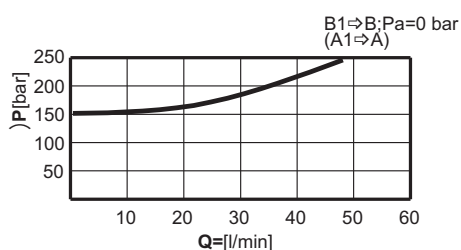
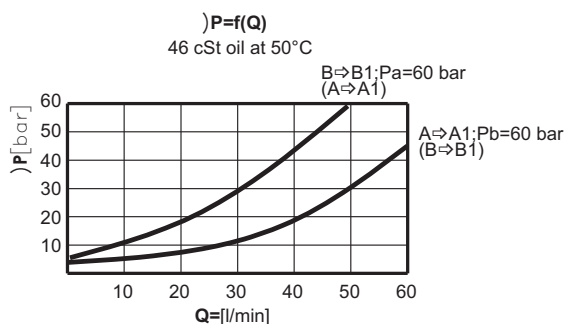
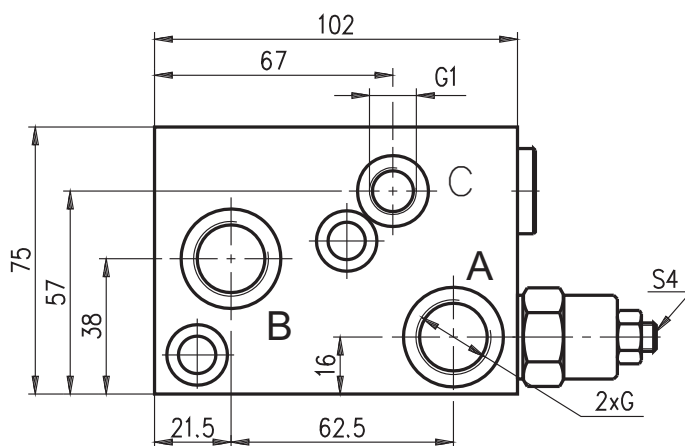
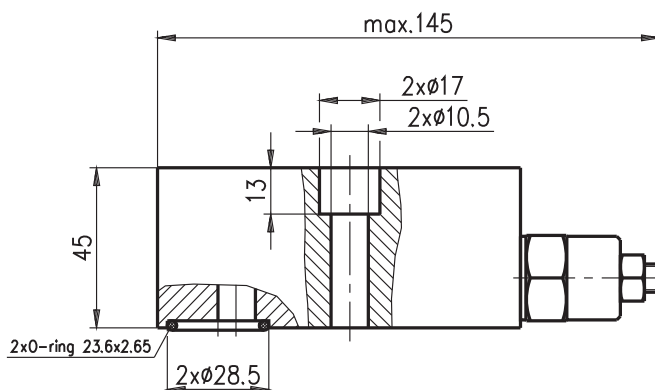
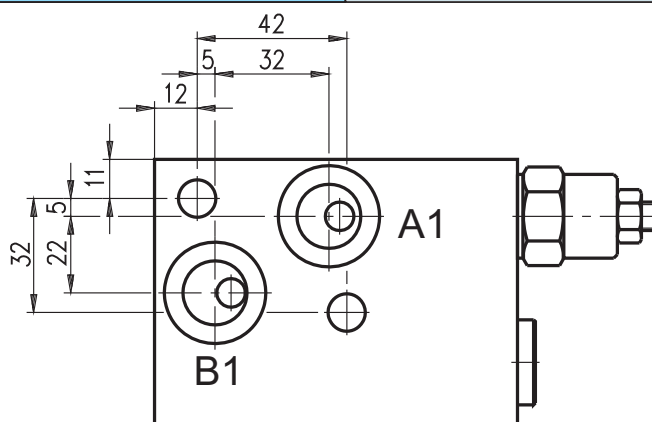
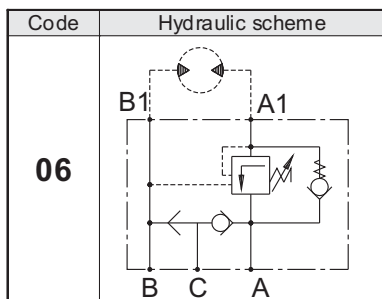
BV S 12 05 AL



HYDRAULIC MOTOR BLOCKS TYPE BV



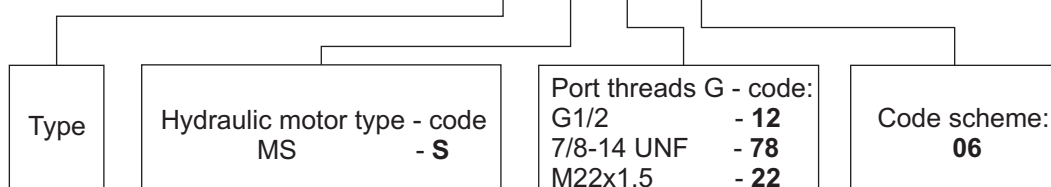
BVS 12 06



Type	Nominal flow rate	Adj. pressure range	Pressure ratio	Pmax.	Port threads G	Port threads G1
	L/min	bar	-	bar	-	-
BVS 1206	60	60...250	4,25:1	250	G1/2 - DIN 3852	G1/4 - DIN 3852
BVS 7806	60	60...250	4,25:1	250	7/8-14UNF - ISO 11926	7/16-20UNF - ISO 11926
BVS 2206	60	60...250	4,25:1	250	M22x1,5 - DIN 3852	M14x1,5 - DIN 3852

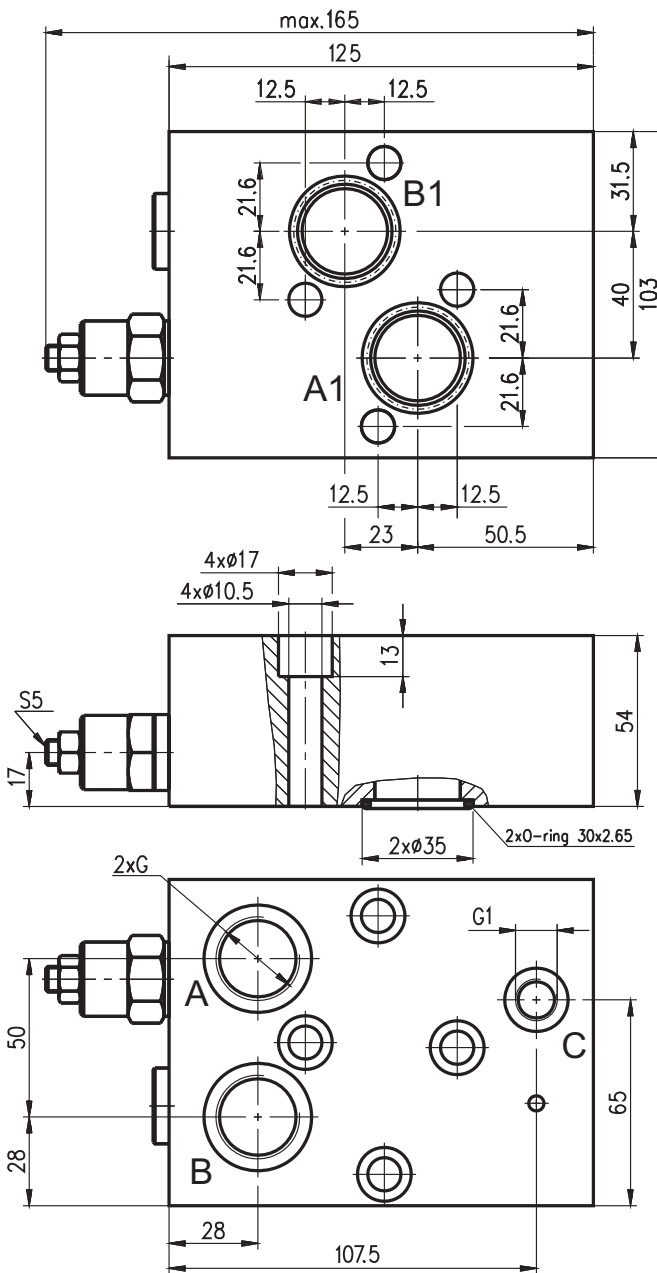
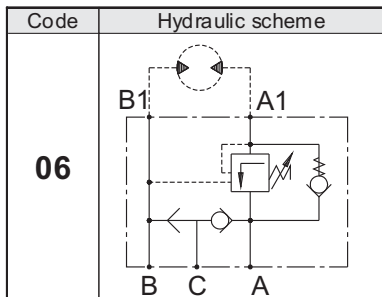
ORDERING CODE

BV S 12 06



HYDRAULIC MOTOR BLOCKS TYPE BV

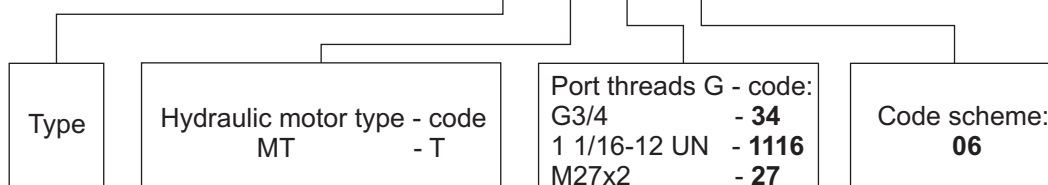
BVT ... 06



Type	Nominal flow rate	Adj. pressure range	Pressure ratio	P _{max.}	Port threads G	Port threads G1
	<i>L/min</i>	<i>bar</i>	-	<i>bar</i>	-	-
BVT 3406	100	60...250	4,25:1	250	G3/4 - DIN 3852	G1/4 - DIN 3852
BVT 111606	100	60...250	4,25:1	250	1 1/16-12UN - ISO 11926	7/16-20UNF - ISO 11926
BVT 2706	100	60...250	4,25:1	250	M27x2 - DIN 3852	M14x1,5 - DIN 3852

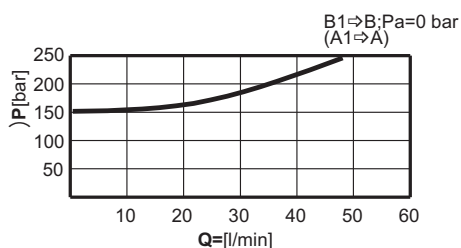
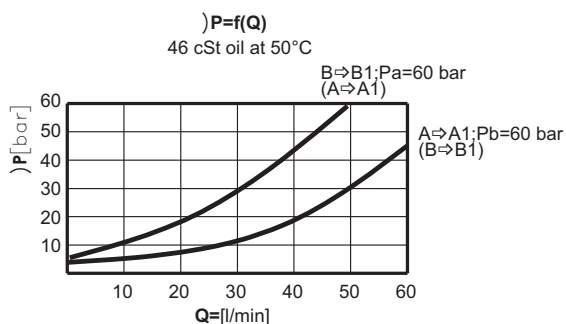
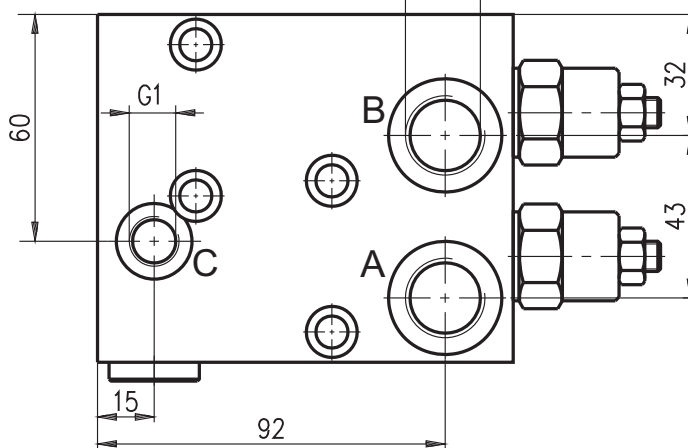
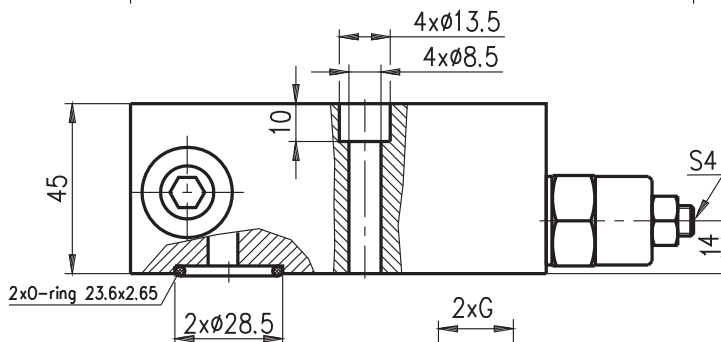
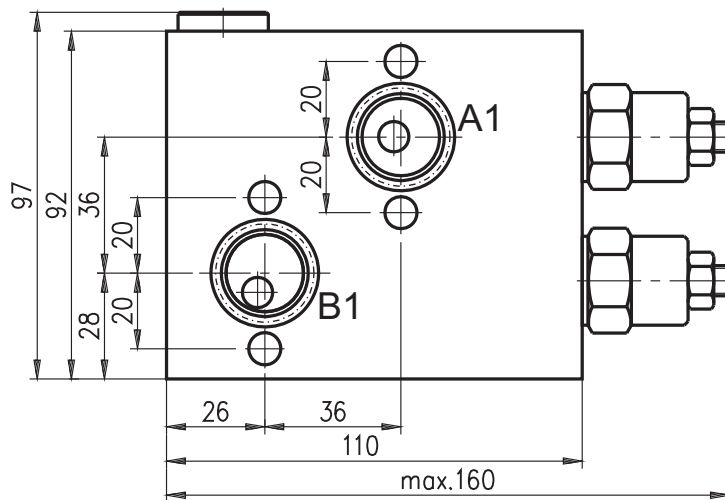
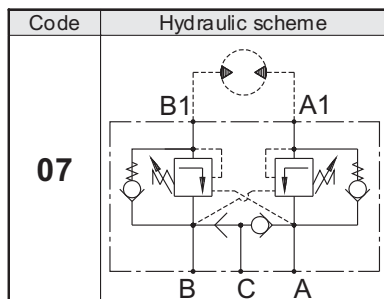
ORDERING CODE

BV T 34 06



HYDRAULIC MOTOR BLOCKS TYPE BV

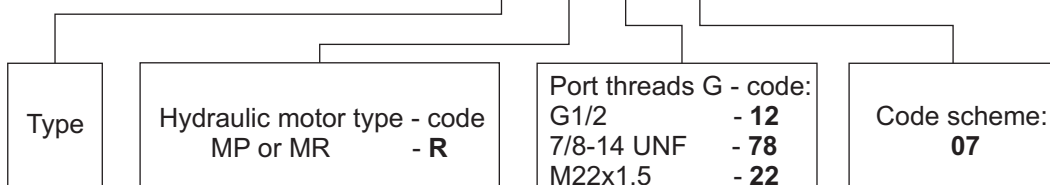
BVR 12 07



Type	Nominal flow rate	Adj. pressure range	Pressure ratio	P _{max.}	Port threads G	Port threads G1
	L/min	bar	-	bar	-	-
BVR 1207	60	60...250	4,25:1	250	G1/2 - DIN 3852	G1/4 - DIN 3852
BVR 7807	60	60...250	4,25:1	250	7/8-14UNF - ISO 11926	7/16-20UNF - ISO 11926
BVR 2207	60	60...250	4,25:1	250	M22x1,5 - DIN 3852	M14x1,5 - DIN 3852

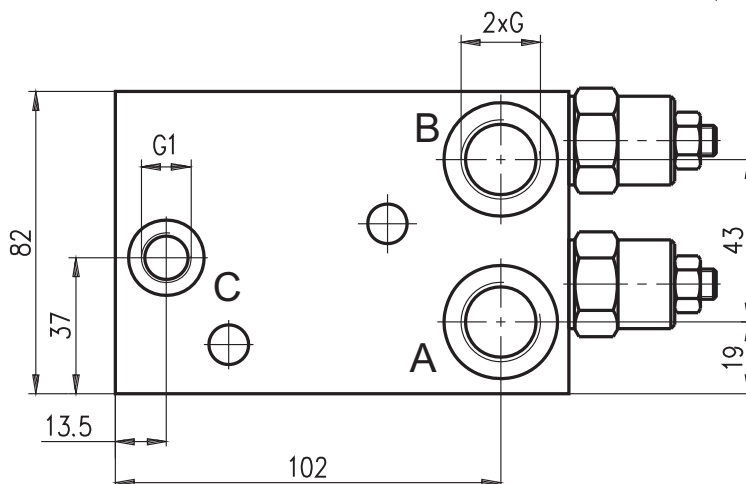
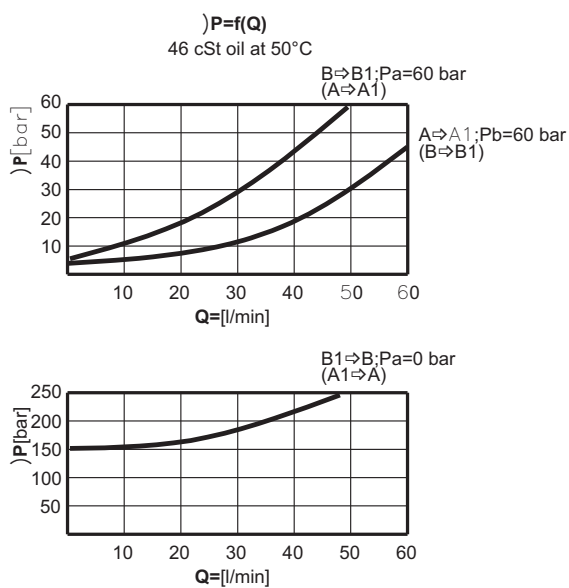
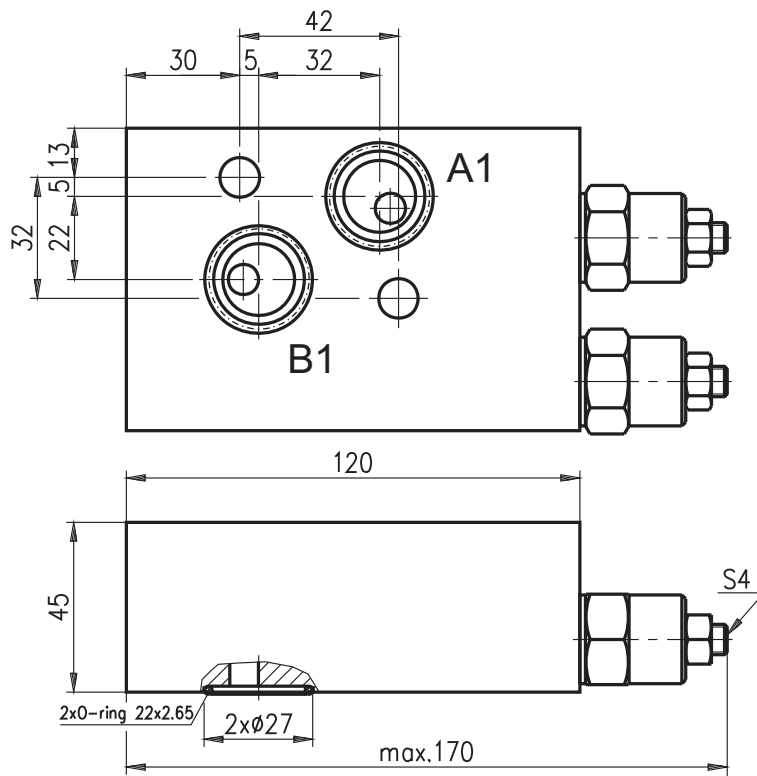
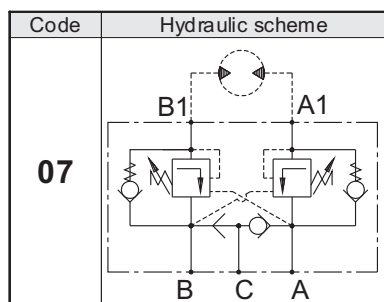
ORDERING CODE

BV R 12 07



HYDRAULIC MOTOR BLOCKS TYPE BV

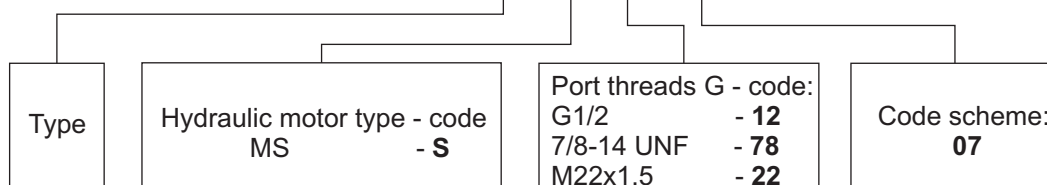
BVS 12 07



Type	Nominal flow rate	Adj. pressure range	Pressure ratio	P _{max.}	Port threads G	Port threads G1
	L/min	bar	-	bar	-	-
BVS 1207	60	60...250	4,25:1	250	G1/2 - DIN 3852	G1/4 - DIN 3852
BVS 7807	60	60...250	4,25:1	250	7/8-14UNF - ISO 11926	7/16-20UNF - ISO 11926
BVS 2207	60	60...250	4,25:1	250	M22x1,5 - DIN 3852	M14x1,5 - DIN 3852

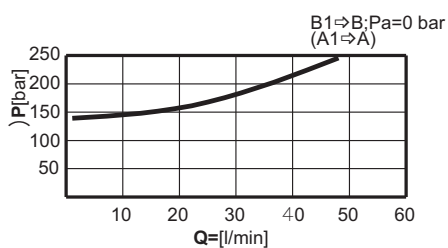
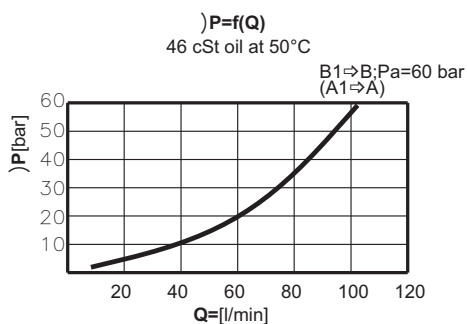
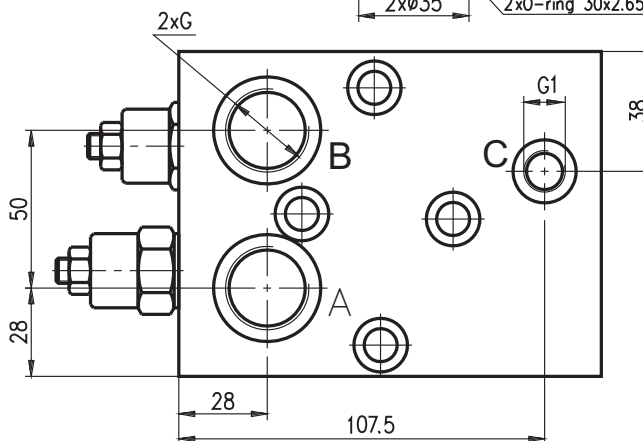
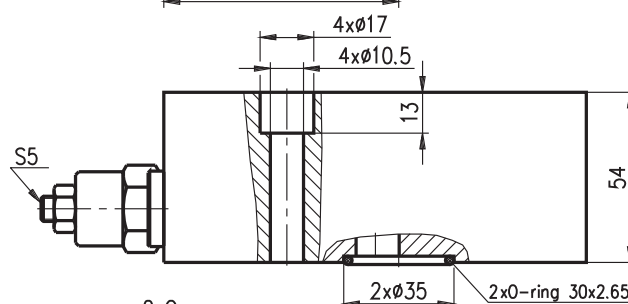
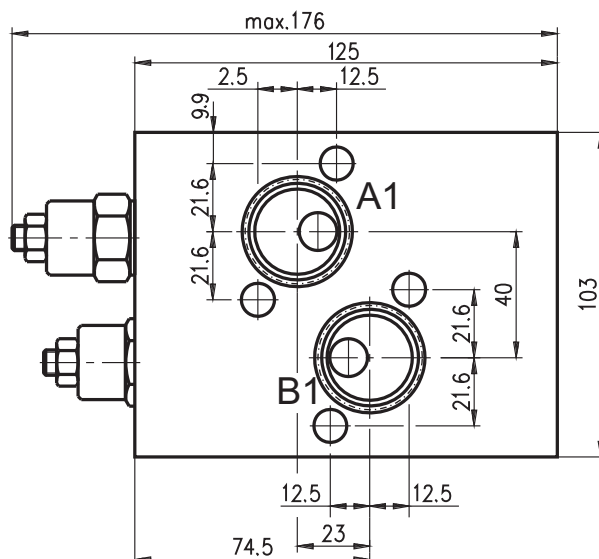
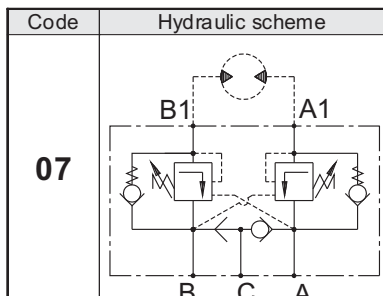
ORDERING CODE

BV S 12 07



HYDRAULIC MOTOR BLOCKS TYPE BV

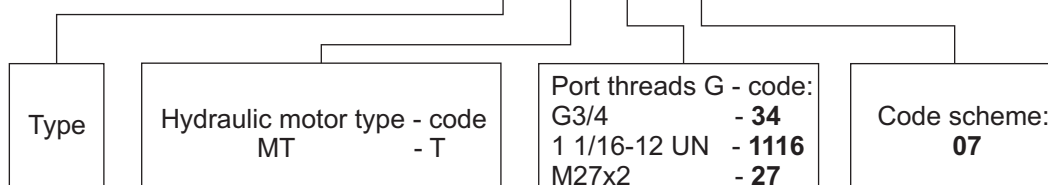
BVT 34 07



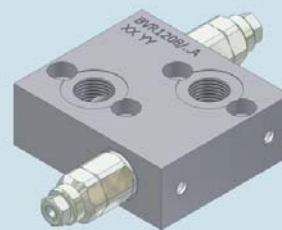
Type	Nominal flow rate	Adj. pressure range	Pressure ratio	P _{max.}	Port threads G	Port threads G1
	L/min	bar	-	bar	-	-
BVT 3407	100	60...250	4,25:1	250	G3/4 - DIN 3852	G1/4 - DIN 3852
BVT 111607	100	60...250	4,25:1	250	1 1/16-12UN - ISO 11926	7/16-20UNF - ISO 11926
BVT 2707	100	60...250	4,25:1	250	M27x2 - DIN 3852	M14x1,5 - DIN 3852

ORDERING CODE

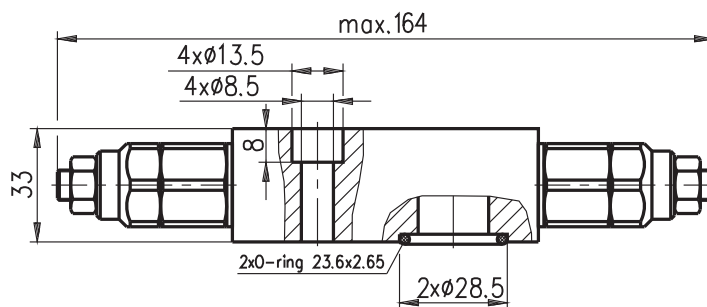
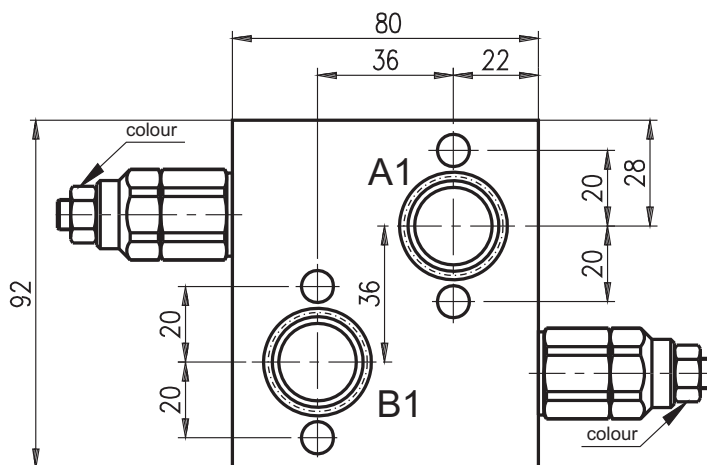
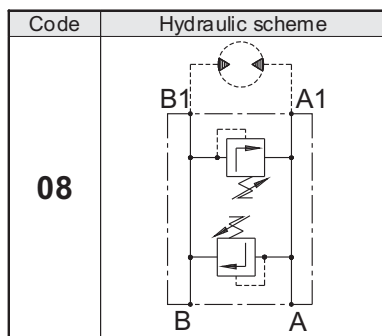
BV T 34 07



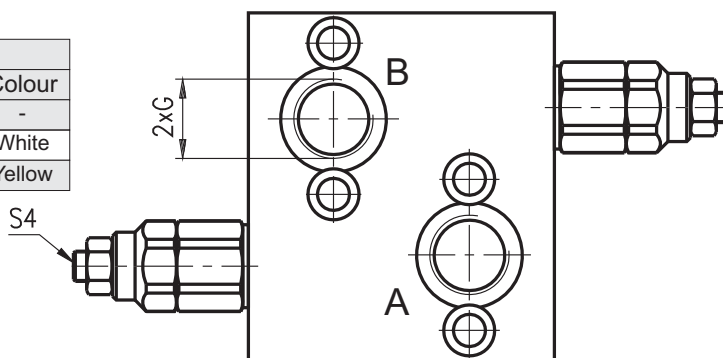
HYDRAULIC MOTOR BLOCKS TYPE BV



BVR 12 08/-... .



Pressure range			
Code	Standard setting (Q=5l/min)	Adj. pressure range	Colour
	bar	bar	-
10	80	10...100	White
25	180	30...250	Yellow

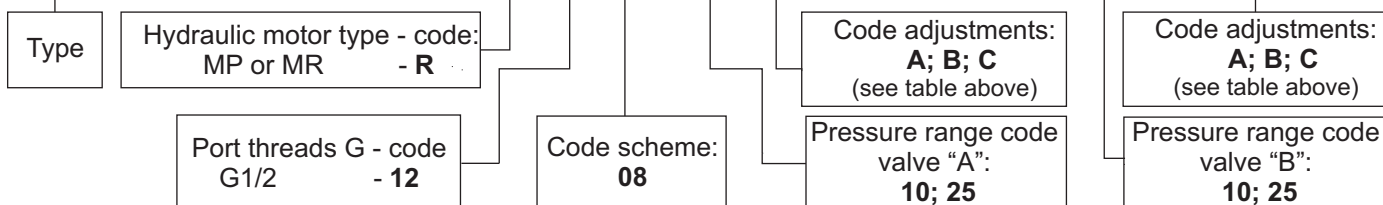


Code	Adjustments
A	Leakproof hex. socket screw
B	Handknob and locknut
C	Sealing cap

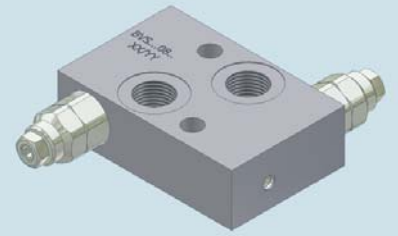
Type	Nom. flow rate	P _{max.}	Port threads G
	L/min	bar	-
BVR 1208 /-... .	50	250	G1/2 - DIN 3852

ORDERING CODE

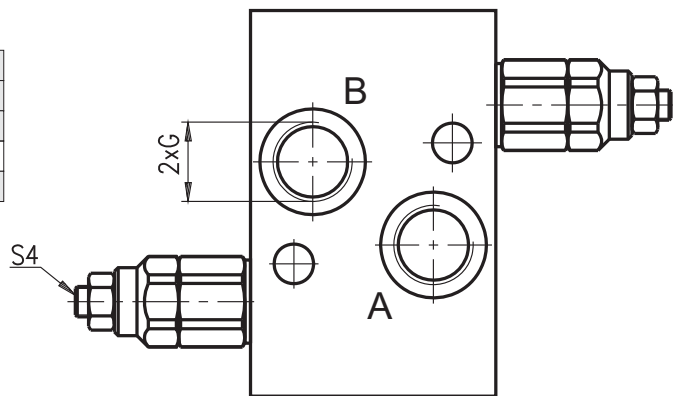
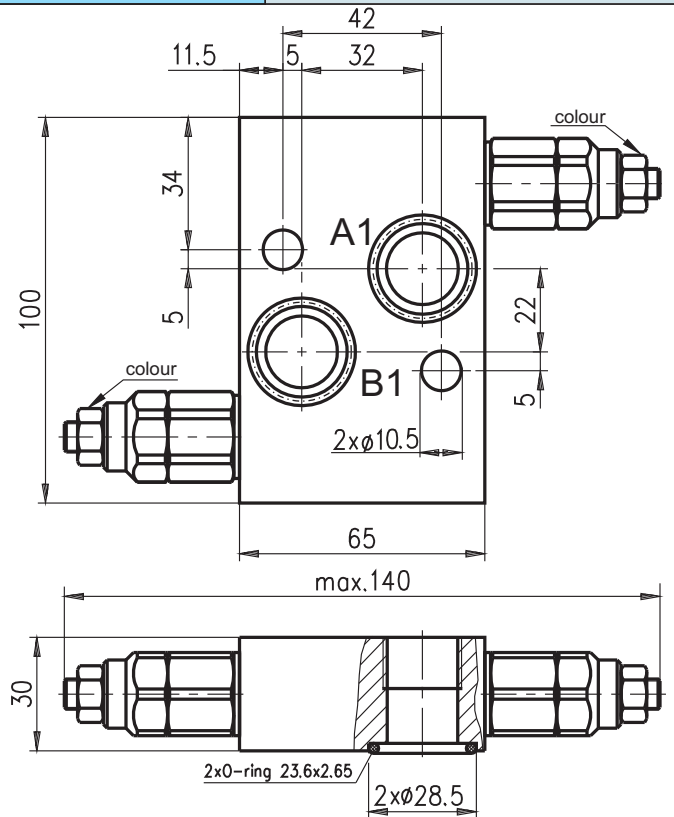
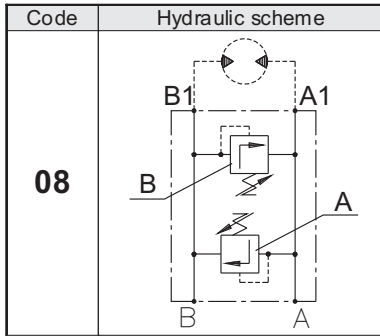
BV R 12 08 / A10 A - B25 A



HYDRAULIC MOTOR BLOCKS TYPE BV



BVS 12 08../... ..



Pressure range			
Code	Standard setting (Q=5l/min)	Adj. pressure range	Colour
	bar	bar	
10	80	10...100	White
25	180	30...250	Yellow

Code	Adjustments
A	Leakproof hex. socket screw
B	Handknob and locknut
C	Sealing cap

Type	Nom. flow rate	P _{max.}	Port threads G
	L/min	bar	-
BVS 1208 /... ..	50	250	G1/2 - DIN 3852
BVS 2208 /... ..	50	250	M22x1,5 - DIN 3852

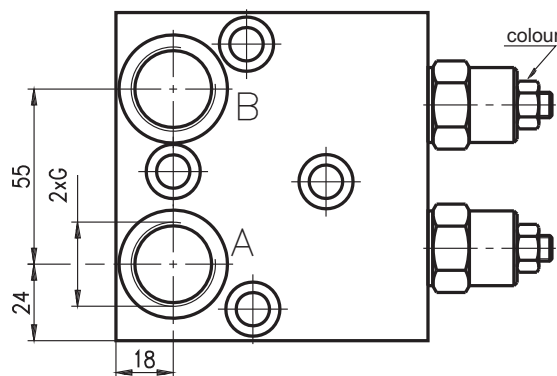
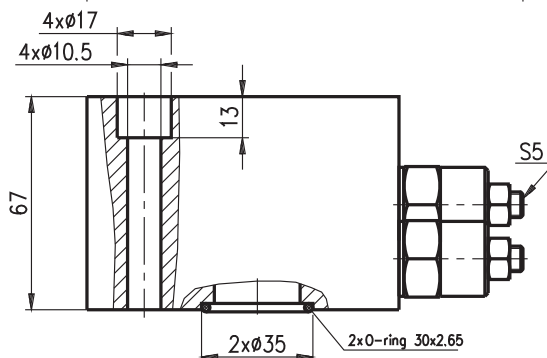
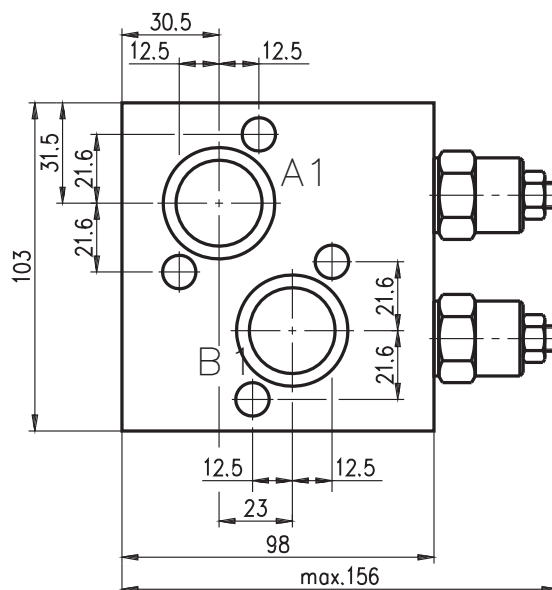
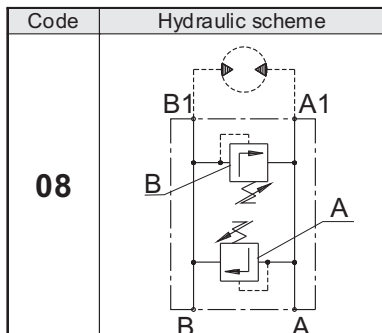
ORDERING CODE

BV S 12 08 AL / A10 A - B25 A

Type MS	Hydraulic motor type - code: MS	Code adjustments: A; B; C (see table above)	Code adjustments: A; B; C (see table above)
Port threads G - code G1/2 - 12 M22x1,5 - 22	Code scheme: 08	Body material - code: Cast iron - Omit Aluminium - AL	Pressure range code valve "A": 10; 25
			Pressure range code valve "B": 10; 25

HYDRAULIC MOTOR BLOCKS TYPE BV

BVT 34 08/...



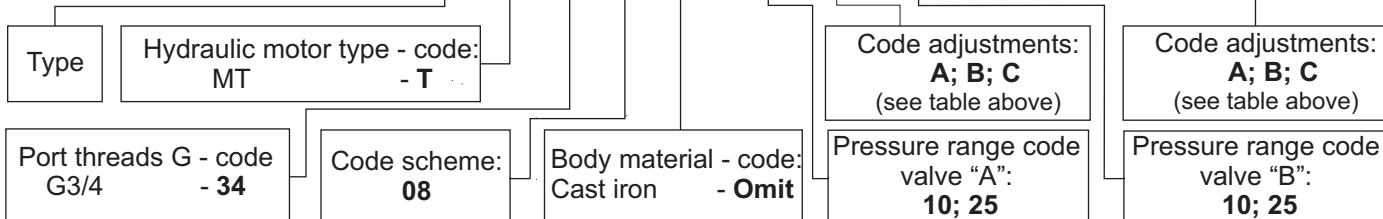
Pressure range			
Code	Standard setting (Q=5l/min) bar	Adj. pressure range bar	Colour
10	80	10...100	White
25	180	30...250	Yellow

Code	Adjustments
A	Leakproof hex. socket screw
B	Handknob and locknut
C	Sealing cap

Type	Nom. flow rate	P _{max.}	Port threads G
	L/min	bar	-
BVT 3408 / ... - ...	100	250	G3/4 - DIN 3852

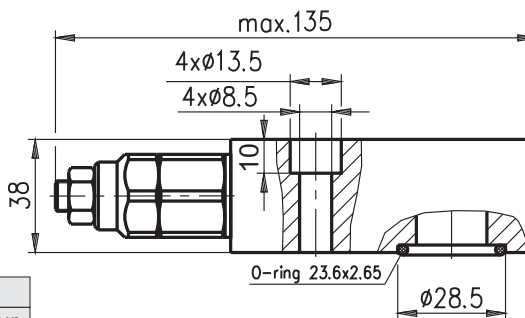
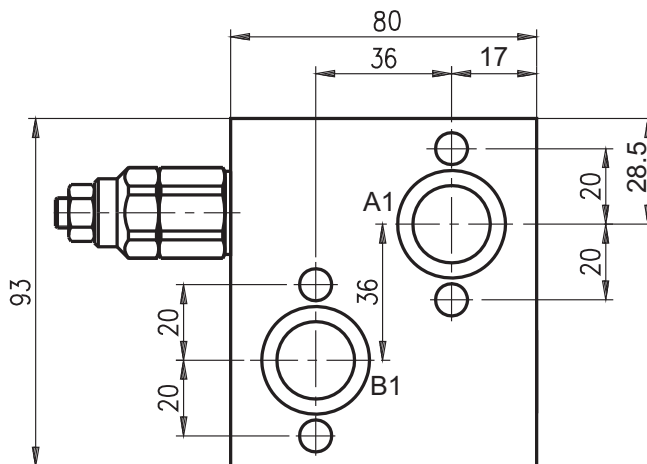
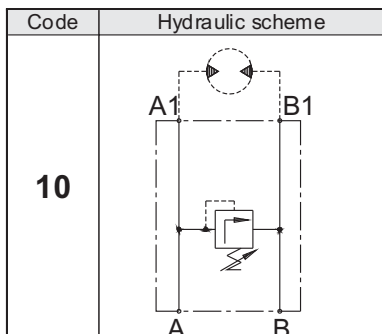
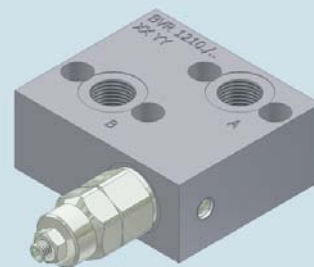
ORDERING CODE

BV S 34 08 ... / A10 A - B25 A



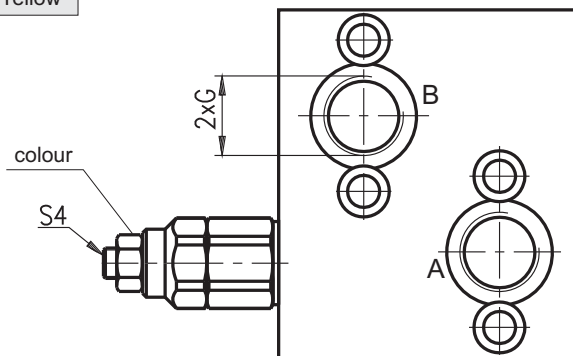
HYDRAULIC MOTOR BLOCKS TYPE BV

BVR 12 10/.. .



Pressure range			
Code	Standard setting (Q=5l/min)	Adj. pressure range	Colour
	bar	bar	-
10	80	10...100	White
25	180	30...250	Yellow

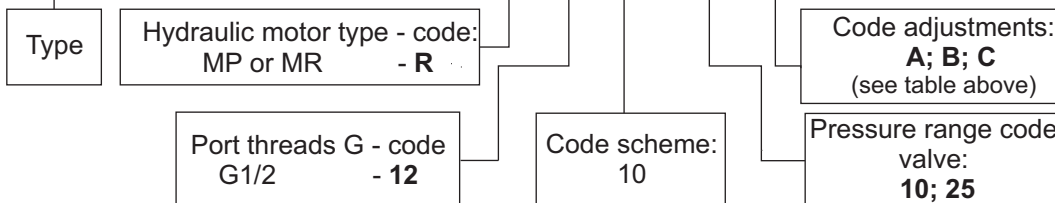
Code	Adjustments
A	Leakproof hex. socket screw
B	Handknob and locknut
C	Sealing cap



Type	Nom. flow rate	P _{max.}	Port threads G
	L/min	bar	-
BVR 1210 /... .	50	250	G1/2 - DIN 3852

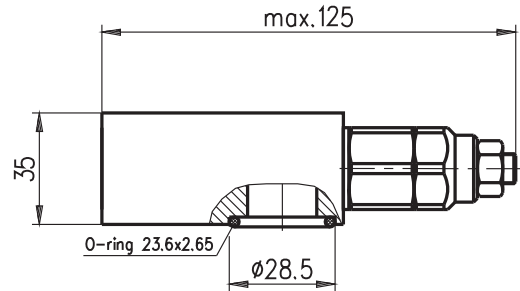
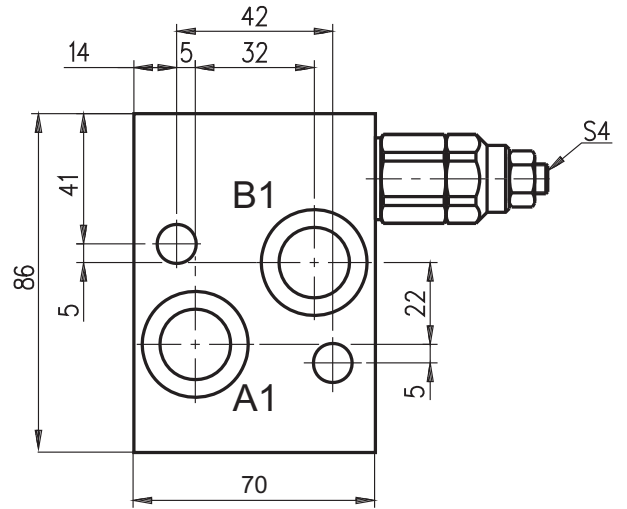
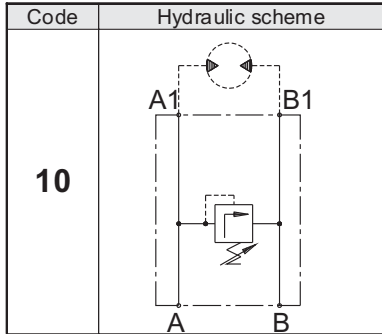
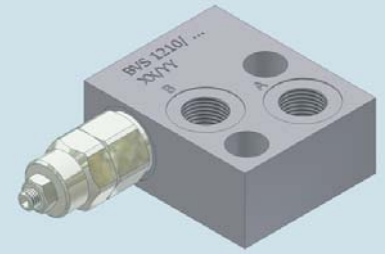
ORDERING CODE

BV R 12 10 / 10 A



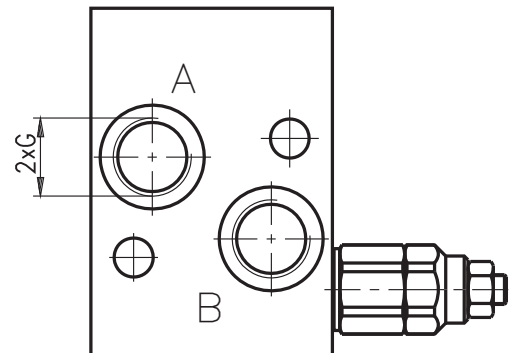
HYDRAULIC MOTOR BLOCKS TYPE BV

BVS 12 10/.. .



Pressure range			
Code	Standard setting (Q=5l/min)	Adj. pressure range	Colour
	bar	bar	-
10	80	10...100	White
25	180	30...250	Yellow

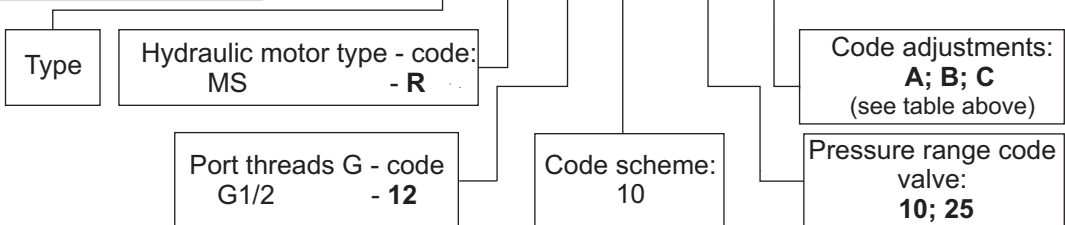
Code	Adjustments
A	Leakproof hex. socket screw
B	Handknob and locknut
C	Sealing cap



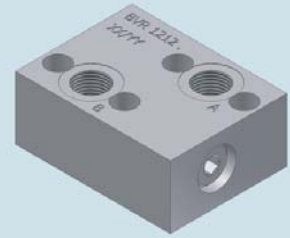
Type	Nom. flow rate	P _{max.}	Port threads G
	L/min	bar	-
BVS 1210 /... .	50	250	G1/2 - DIN 3852

ORDERING CODE

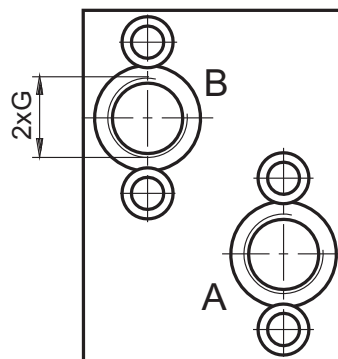
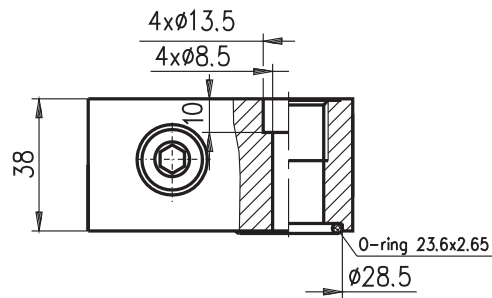
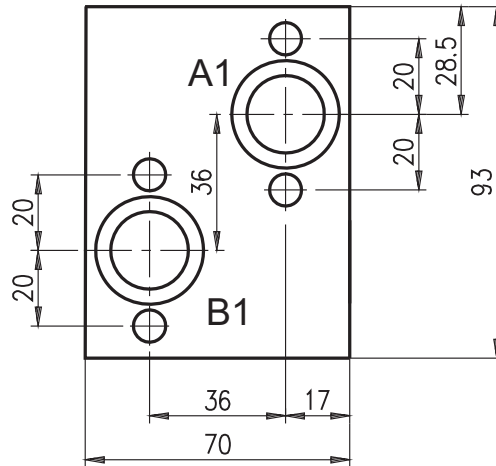
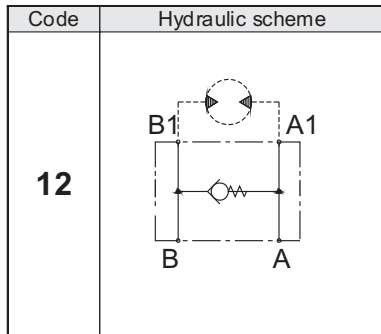
BV S 12 10 / 10 A



HYDRAULIC MOTOR BLOCKS TYPE BV

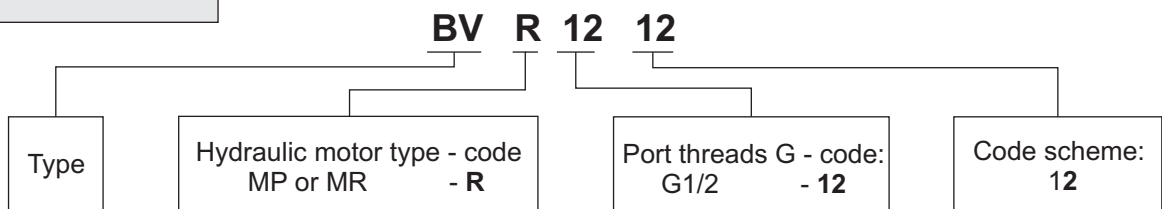


BVR 12 12



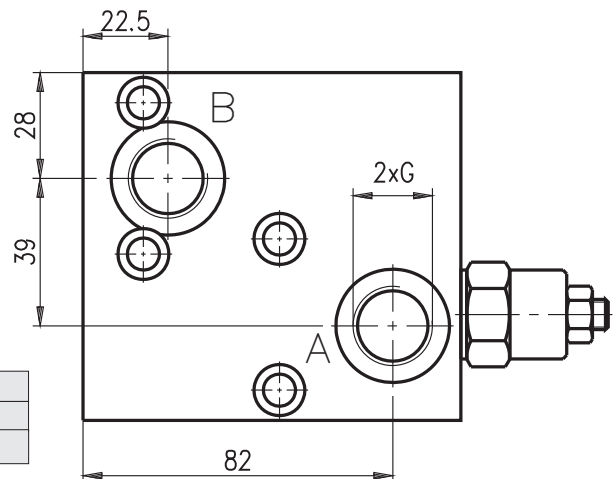
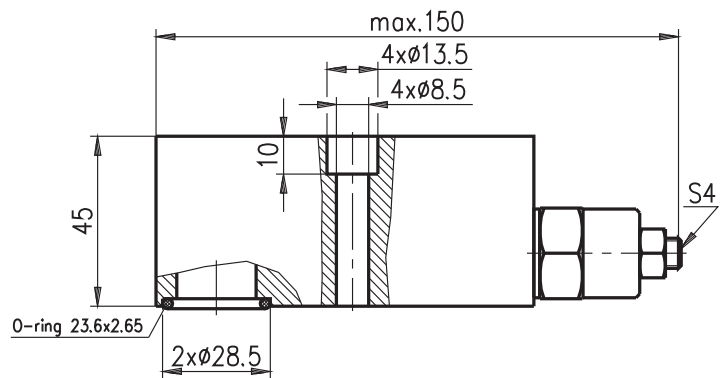
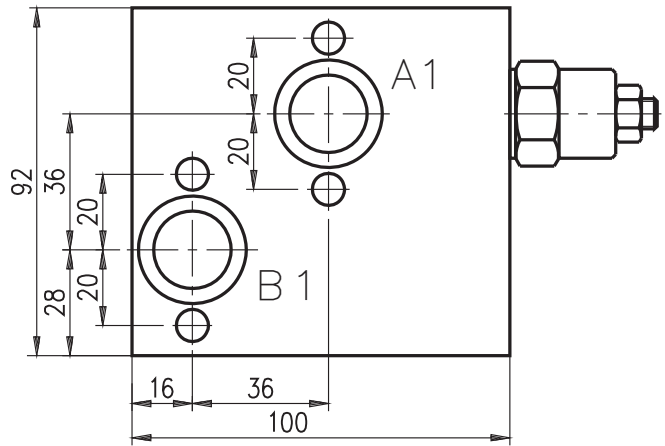
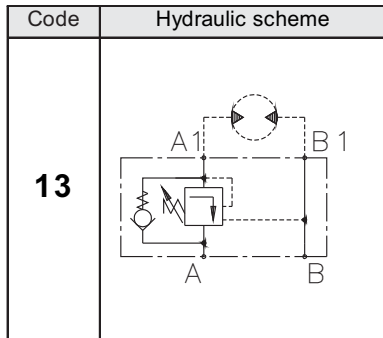
Type	Nom. flow rate	P _{nom.}	Port threads G
	<i>L/min</i>	<i>bar</i>	-
BVR 1212	50	210	G1/2 - DIN 3852

ORDERING CODE



HYDRAULIC MOTOR BLOCKS TYPE BV

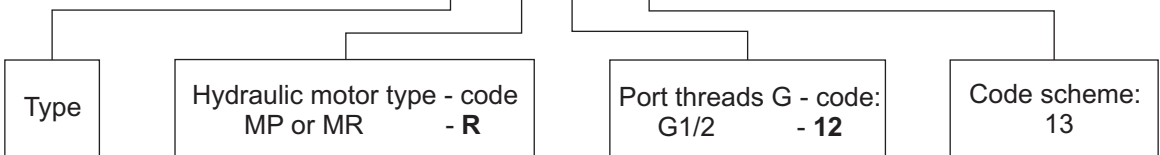
BVR 12 13



Type	Nom. flow rate <i>L/min</i>	P _{nom.} <i>bar</i>	Port threads G
BVR 1213	50	210	G1/2 - DIN 3852

ORDERING CODE

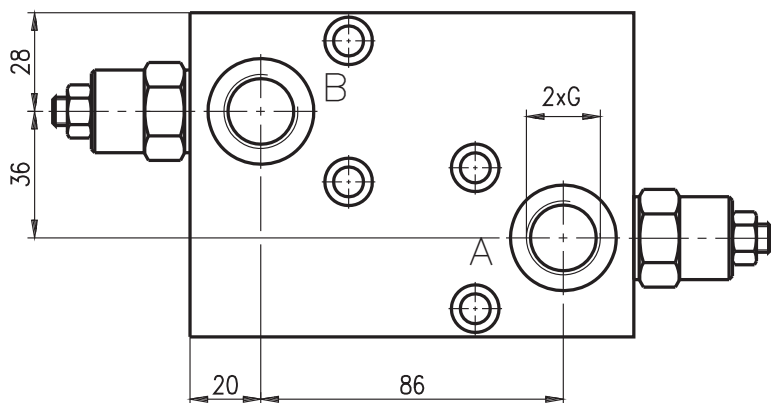
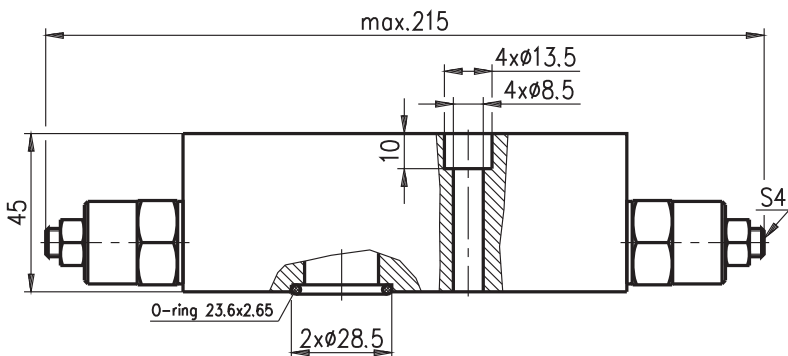
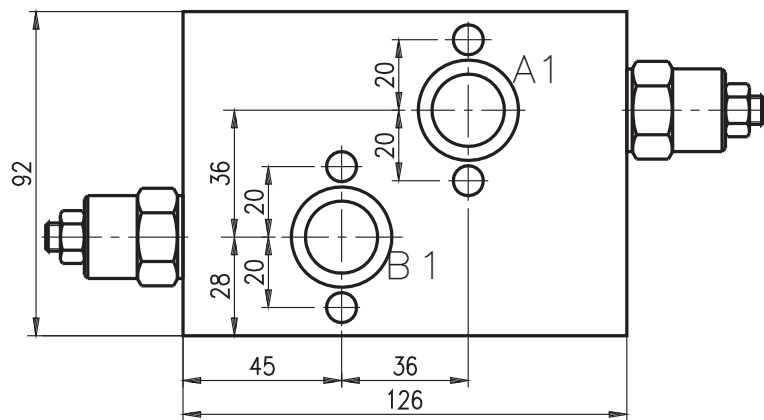
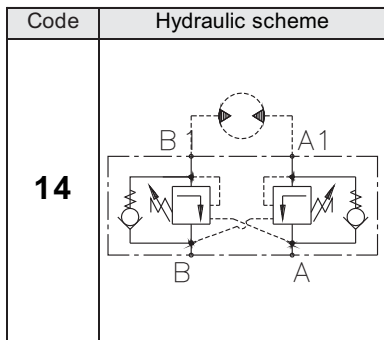
BV R 12 13



HYDRAULIC MOTOR BLOCKS TYPE BV



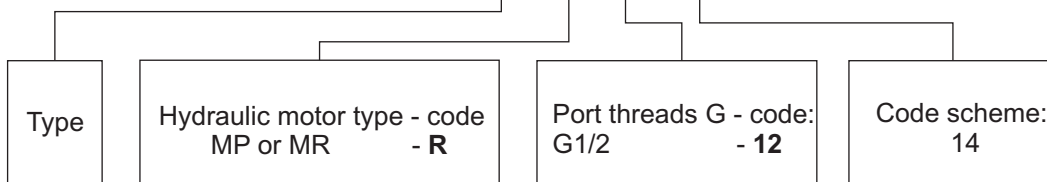
BVR 12 14



Type	Nominal flow rate	Adj. pressure range	Pressure ratio	P _{max.}	Port threads G
	L/min	bar	-	bar	-
BVR 1214	60	60...250	4,25:1	250	G1/2 - DIN 3852

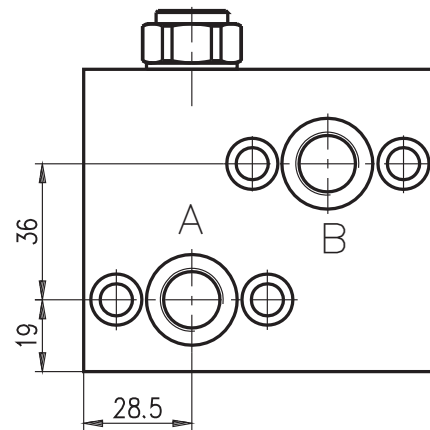
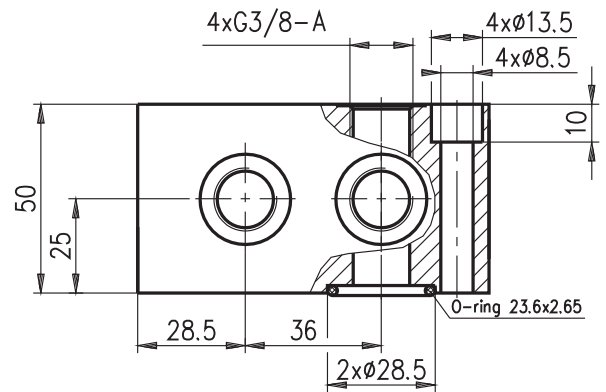
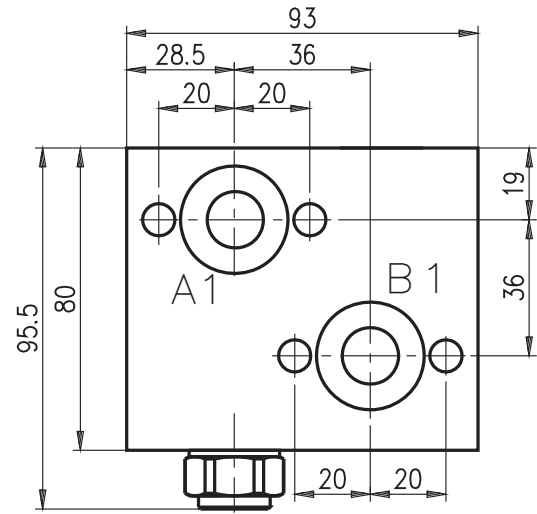
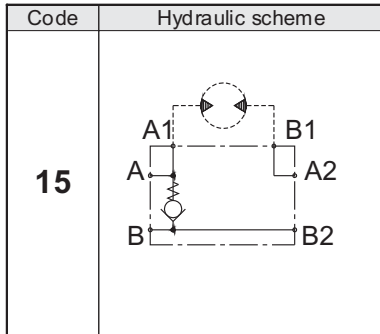
ORDERING CODE

BV R 12 14



HYDRAULIC MOTOR BLOCKS TYPE BV

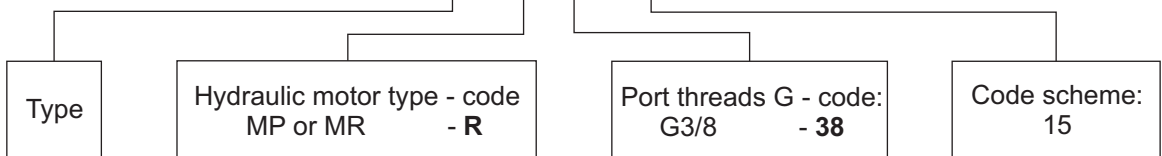
BVR 38 15



TECHNICAL DATA		
Max. pressure	bar	210
Nominal flow rate	L/min	60

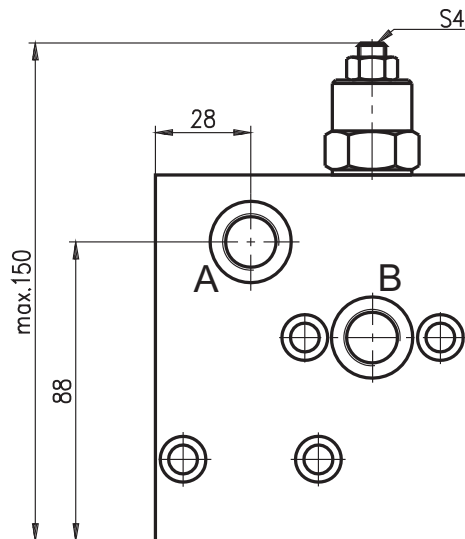
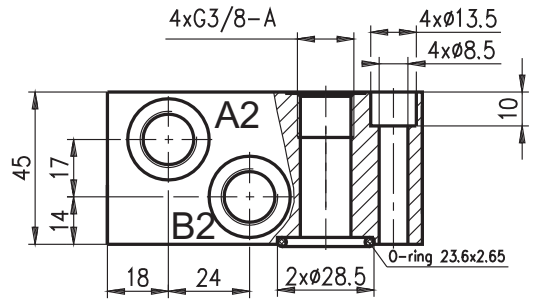
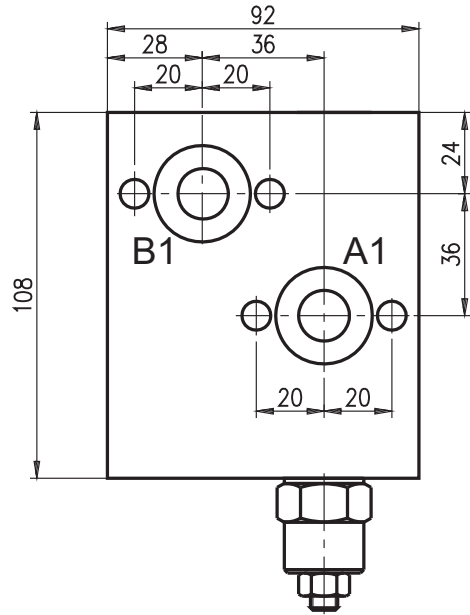
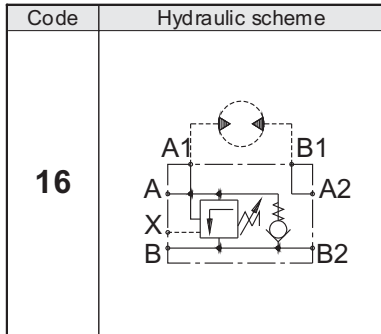
ORDERING CODE

BV R 12 01



HYDRAULIC MOTOR BLOCKS TYPE BV

BVR 38 16



TECHNICAL DATA		
Max. pressure	bar	210
Nominal flow rate	L/min	30

ORDERING CODE

