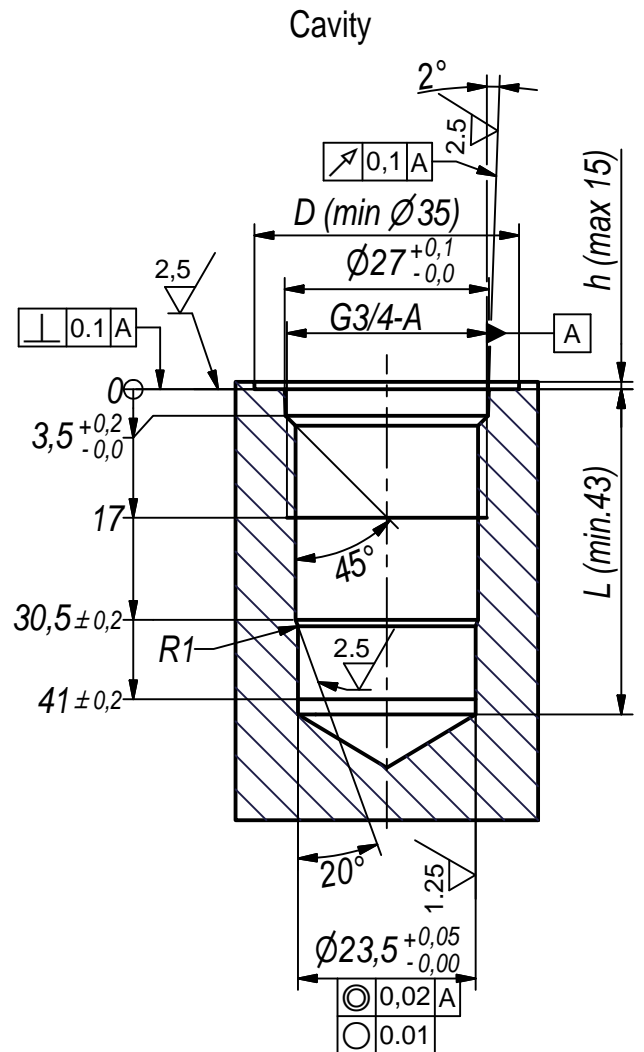
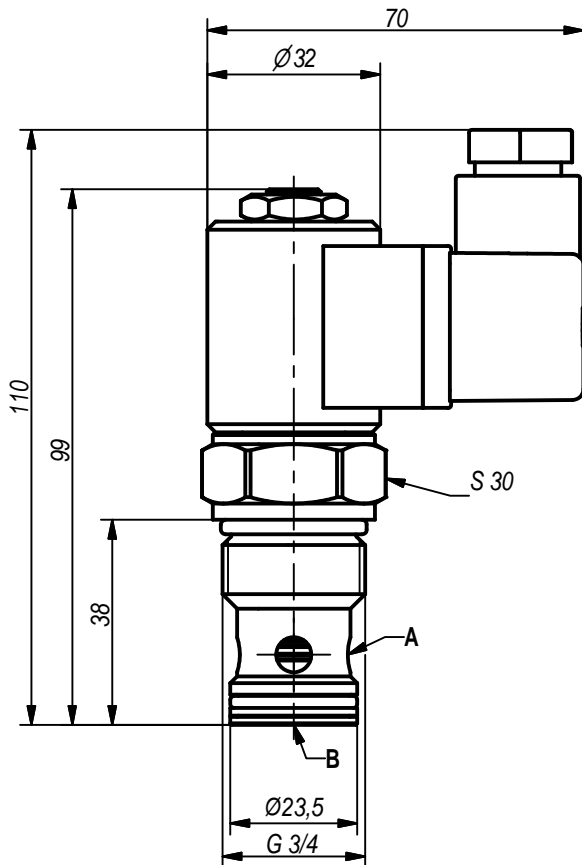
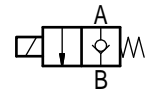
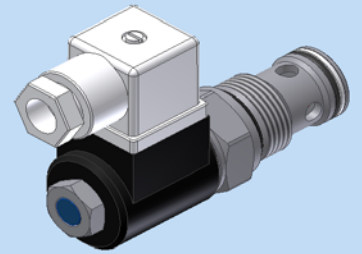


SOLENOID VALVES

SV13B1



TECHNICAL DATA		
	Measurement unit	Value
Maximum pressure	bar.	250
Nominal flow rate	L/min	60
Power supply	VAC	110,220
	VDC	12,24

All performances and calibration are carried out by using hydraulic oil with viscosity approx 46 cSt at 50 °C
 Temperature range -20...+80 °C
 Filtration absolute 25 µm

ORDERING CODE

SV13B1 / 12V DC

